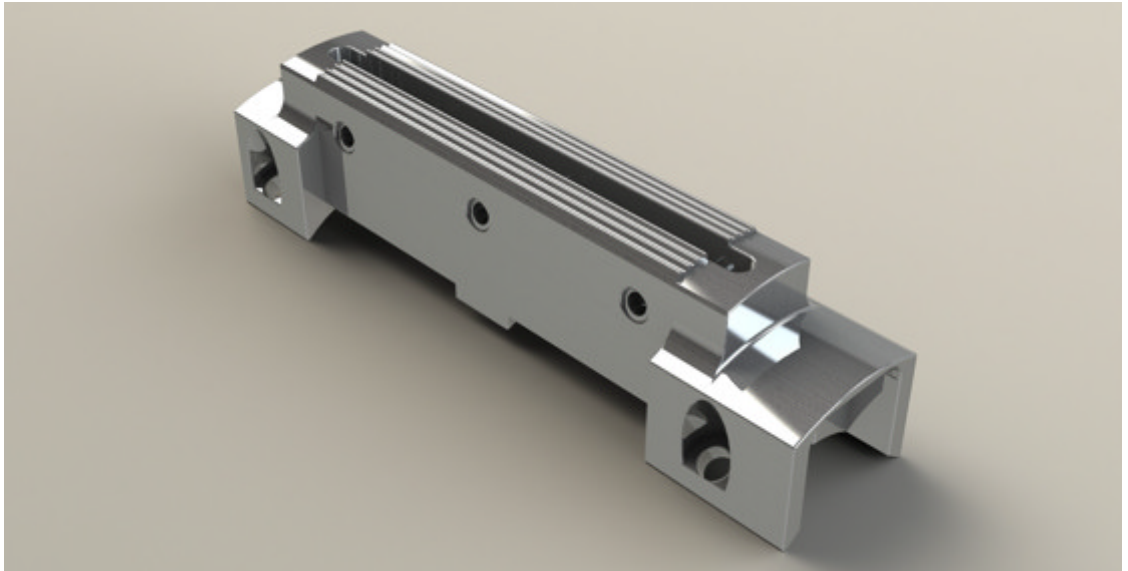


## SPECIAL PLATINGS AND COATINGS



Platings and coatings are rarely necessary with our crimper and sealing jaw base materials, but numerous options are available when required.

**Surface Protection Coatings** serve primarily to protect a part from corrosion. The most common is electroless nickel plating.

**Surface Enhancement Coatings** are designed to improve the functional performance of the part. With crimpers and sealing jaws this often means increasing hardness to improve durability and/or reducing surface friction to eliminate sticking problems.

Whenever necessary, we can recommend and provide the proper plating or coating for your application.

### **P<sup>3</sup> Solutions™** parts process people

P<sup>3</sup> Solutions is Greener's unique and comprehensive approach to help our customers achieve excellence. P<sup>3</sup> Solutions couples **parts** together with **process** and **people** to successfully **improve package quality, increase productivity and reduce costs.**

**PARTS + PROCESS + PEOPLE  
= SOLUTIONS**